



ISO 9001  
國際品保認證

# 鴻禎泵浦 HONQ CHAN PUMP

MULTISTAGE CENTRIFUGAL PUMP

HST 多段離心泵浦

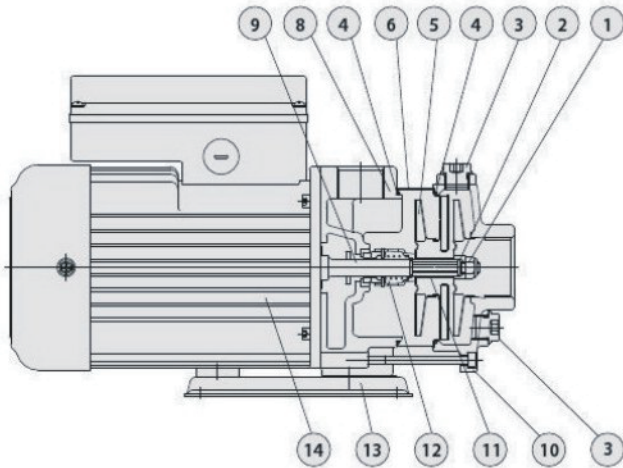


HONQ CHAN ENTERPRISE CO.,LTD.  
NO.59,Jih Tai Street Yung Lin,  
Chang Hua Hsien, Taiwan,R.O.C.  
TEL:886-4-8331185.8371071~72  
FAX:886-4-8357838  
[Http://www.hongchan.com.tw](http://www.hongchan.com.tw)

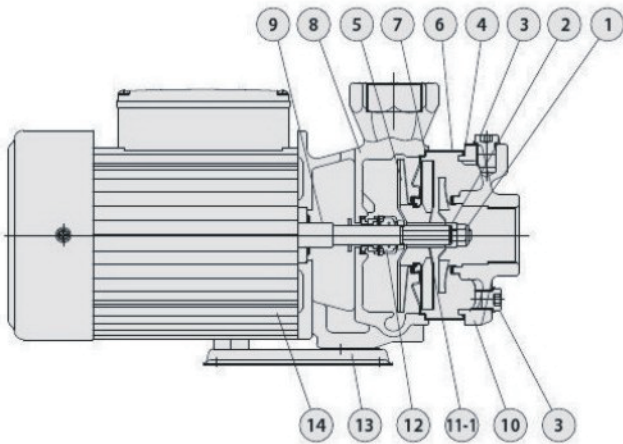
鴻禎企業股份有限公司  
地址:彰化縣員林市日泰街59號  
電話:(04)8331185.8371071~2  
傳真:(04)8357838  
E-mail:[hongchan@hongchan.com.tw](mailto:hongchan@hongchan.com.tw)

## Sectional drawing

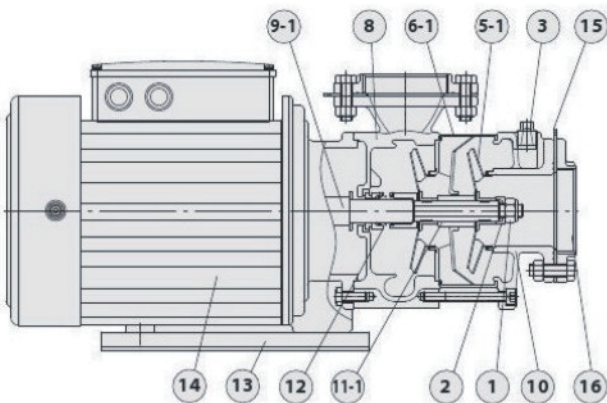
(HST 2/4T)



(HST 8/12T)



(HST 25/50T)



## Materials

No.	Part name	Material		
		Standard	S series	N series
1	Lock Nut	SUS 316	SUS 316	SUS 316
2	Sleeve (Shaft End)	SUS 316	SUS 316	SUS 316
3	Water Plug	FC 20	SUS 304	SUS 316
4	O Ring	HNBR	HNBR	-
5	Impeller	SUS 304	SUS 304	-
5-1	Impeller	SUS 316	-	SUS 316
6	Intermediate Chamber	SUS 304	SUS 304	-
6-1	Intermediate Chamber	SUS 316	-	SUS 316
7	Gasket	Teflon	Teflon	-
8	Pump Casing	FC 20	SUS 304	SUS 316
9	Shaft	SUS 304	SUS 304	-
9-1	Shaft	SUS 316	-	SUS 316
10	Suction Chamber	FC 20	SUS 304	SUS 316
11	Sleeve	SUS 304	SUS 304	-
11-1	Sleeve	SUS 316	SUS 316	SUS 316
12	Mechanical Seal	HGSH		
13	Mounted Base	Coating Steel		
14	Motor Shell	Aluminum alloy		
15	Gasket	Teflon+NBR		
16	Flange	FC 20	-	SUS 316

SUS 304 may be replaced by SUS316 depended on stock availability.

## Options on request

- Terminal box position adjustable
- Special mechanical seal

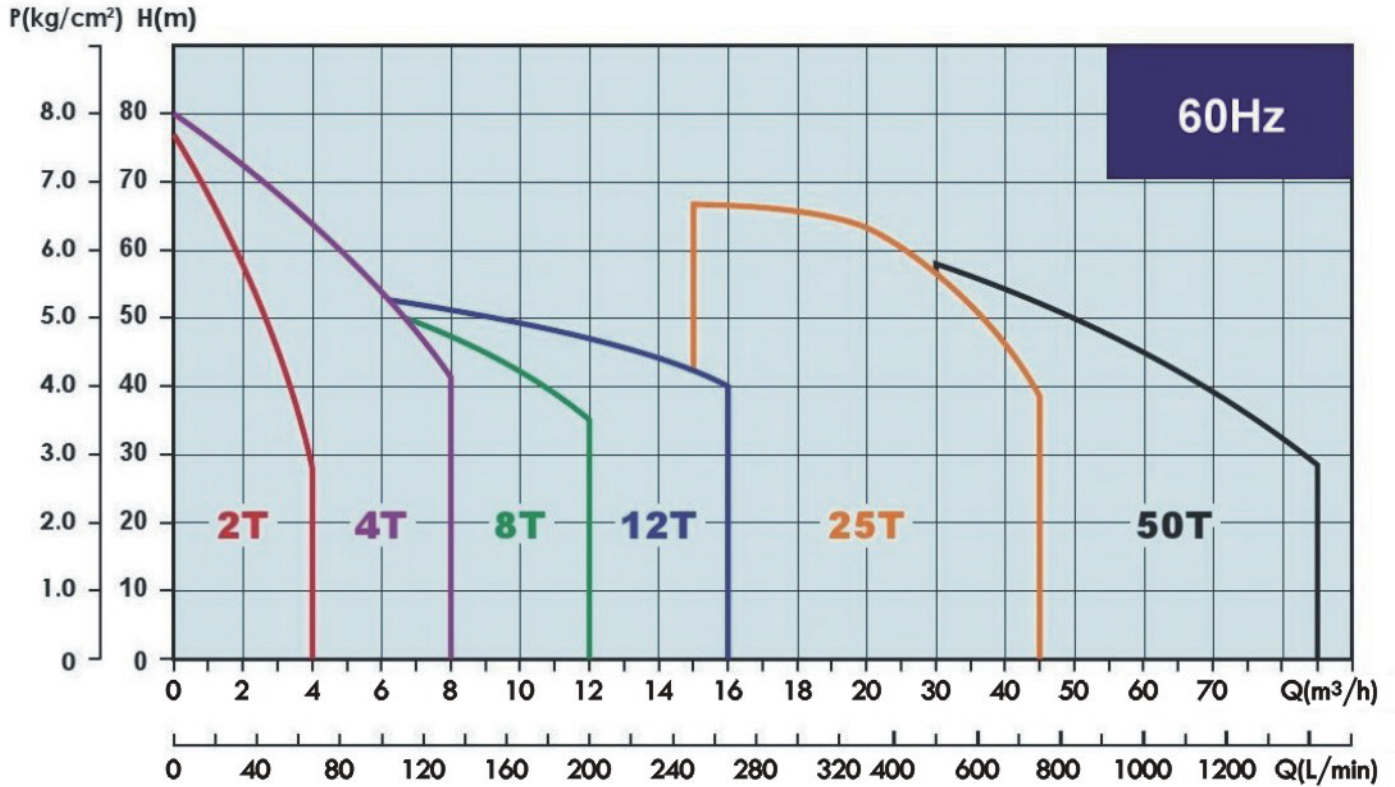
Mechanical seal type	Material	
	Stationary Face/ Rotary Face	Cup Gasket & O Ring
HGSH HGSV HGSE	(G)Carbon/ (S)Silicium carbid	(H)HNBR (V)Viton
HSSH HSSV HSSE	(S)Silicium carbide/ (S)Silicium carbide	(E)EPDM

# HST

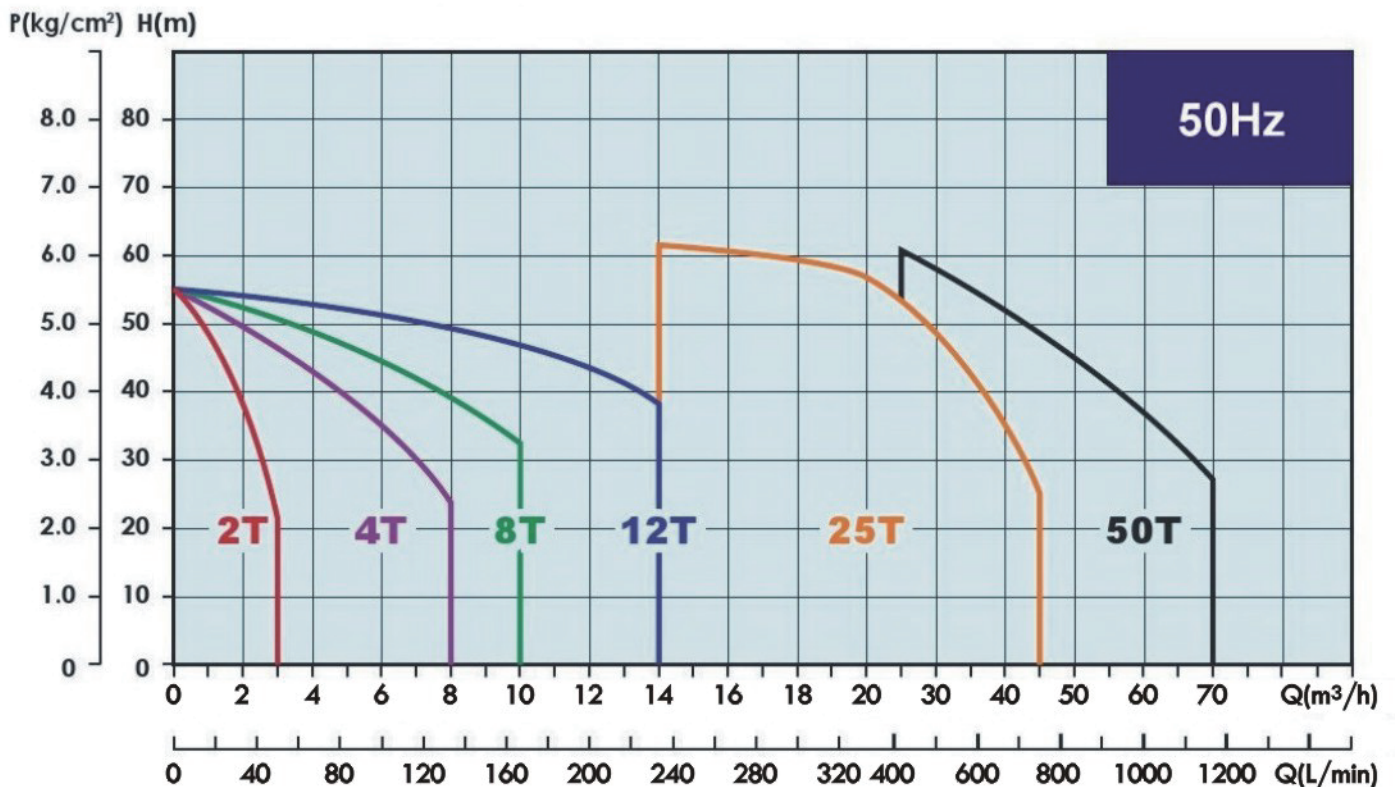
## Multistage Centrifugal Pump

多段離心泵浦

### Performance curve ( 60Hz )



### Performance curve ( 50Hz )



### Applications

The HST Series is horizontal multistage centrifugal pump, suitable for clean water/liquid without abrasive matters. The applications are versatile, such as pressure boosting, transfer, circulation, and machinery.

- Industrial circulation system
- Washing/cleaning system
- Pressure booster system
- Water/liquid transfer
- Agricultural irrigation

### Motor

Enclosure protection class: IP54

Insulation class: F.

Frequency range: 50 / 60 Hz

Nominal speed: 2900 / 3500 rpm

Voltages code:

Code	PH	50Hz	60Hz
61B	1	-	220V
51R	1	200-240V	-
53Q	3	200-240/380-440V	-
A3Z*	3	200-255/380-440V	200-255/380-480V
A3U*	3	200-240/380-415V	200-240/380-440V
63Q	3	-	200-240/380-440V
63Z	3	-	200-255/380-480V

Optional: 50hz, 60hz models are available on request.

\*The motor can be use in both 50/60 hz.

### 60Hz

**Power:** 0.37 - 14.2 kW

**Head:** Up to 80M

**Flow:** Up to 1400 L/min

**Outlet:** 1" - 4"

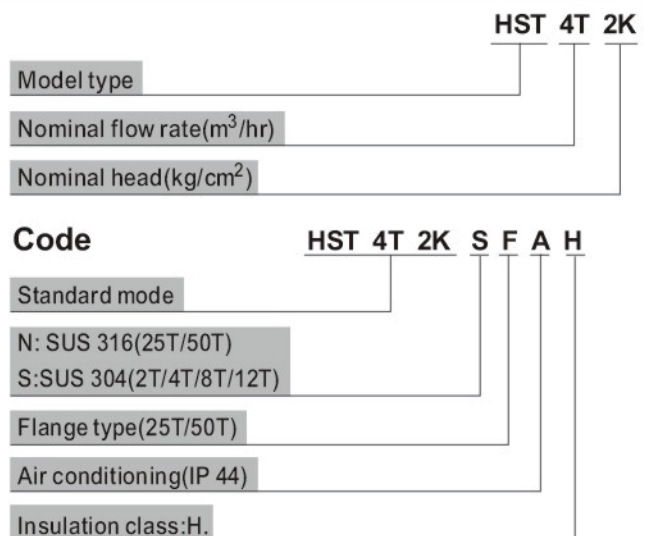
### Operating Conditions

1. Ambient temperature: Max. +40°C
2. Liquid temperature range: +0°C ~ +90°C
3. Operating pressure: Max. 10 kg/cm<sup>2</sup>
4. Inlet pressure: Max. 6 kg/cm<sup>2</sup>

### Pump Construction

Horizontal multistage centrifugal pump, non self-priming, co-axial pump/motor design, impellers mounted on extended motor shaft. Main working parts made by stainless steel.

### Standard Mode



### 50Hz

**Power:** 0.42 - 11.6 kW

**Head:** Up to 60M

**Flow:** Up to 1200 L/min

訂貨時請指示下列事項

一、電動機：1.馬力 2.相數 3.電壓 4.週率 二、泵浦：1.口徑 2.出量 3.總揚程 三、其他希望事項